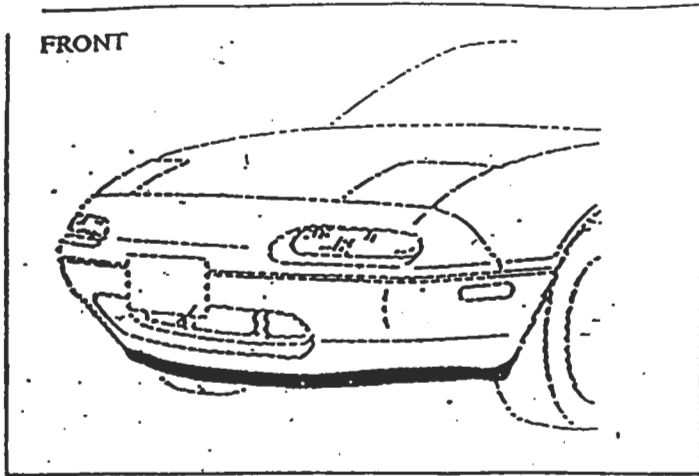
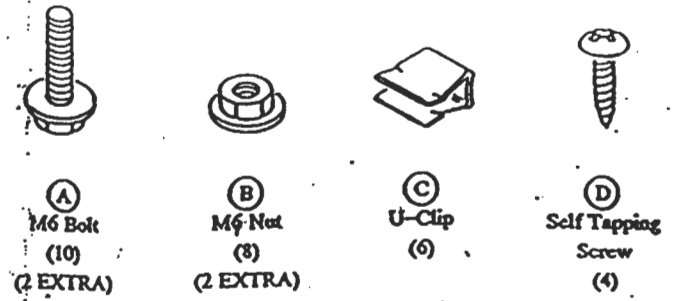


# MAZDA MX-5 *Miata* FRONT AIRDAM INSTALLATION INSTRUCTIONS

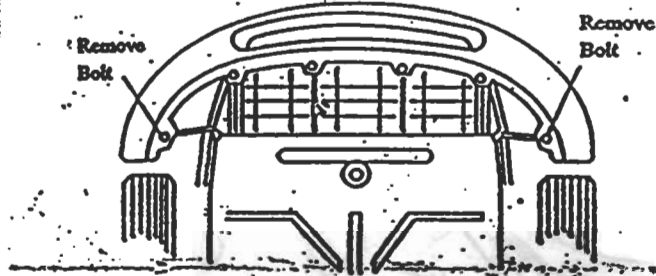
REV. MAY '93



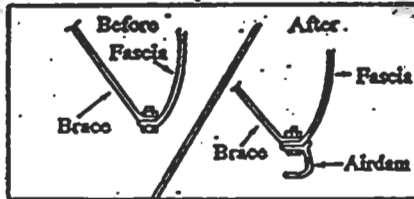
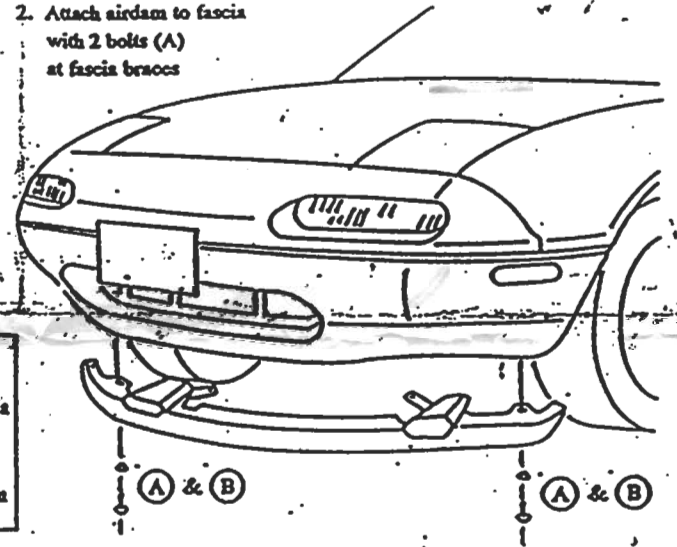
Hardware supplied:



1. Remove 2 bolts at rear end of fascia which retain braces.

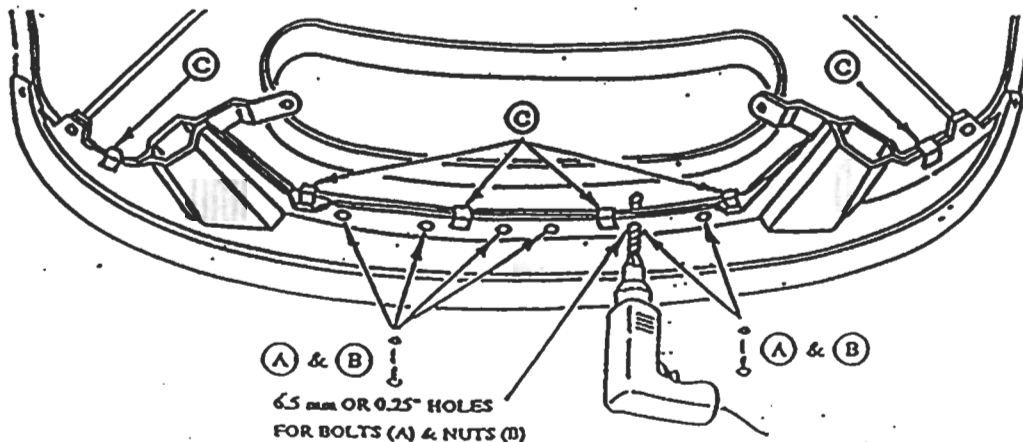
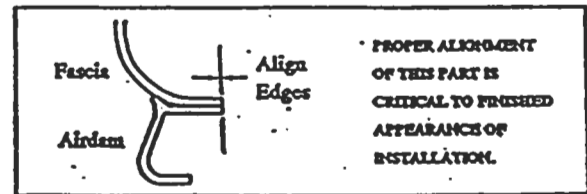


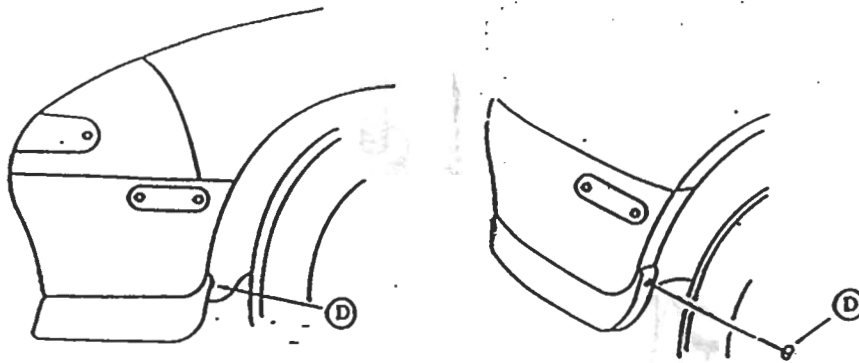
2. Attach air dam to fascia with 2 bolts (A) at fascia braces



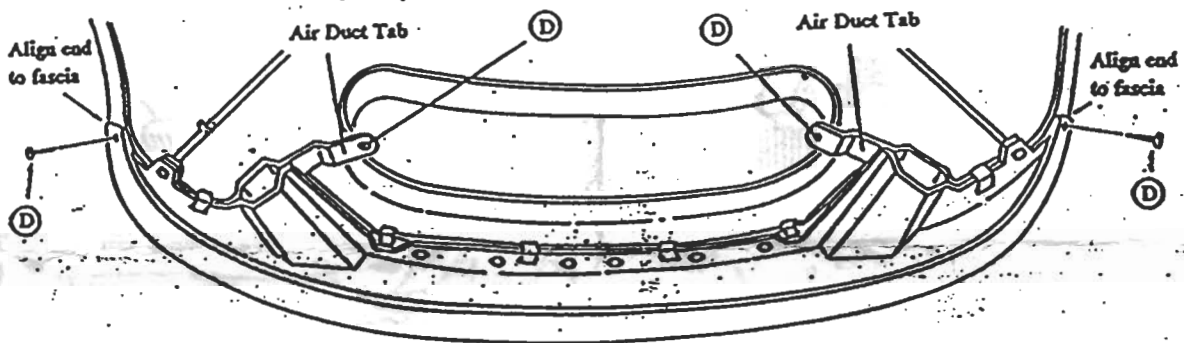
3. Align rear edge of fascia and air dam. Fasten with 6 U-Clips (C) in areas shown.

4. Drill six 6.5 mm or 0.25" holes through fascia as shown and install 6 bolts, (A) with 6 nuts (B) provided. Lower car and check fit. Adjust as required.





5. Align outboard ends to fascia and install self tapping screw (D) into fascia, one on each side.



6. Locate 2 air duct tabs to underside of engine belly pan. Install self tapping screws (D) into belly pan.

