

DESCRIPTION: FRONT STRUT BAR

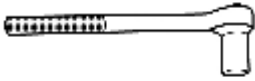


APPLICATIONS: FORD MUSTANG **ITEM NUMBER :** FM101

INSTALLATION TIME : 0.30 HR

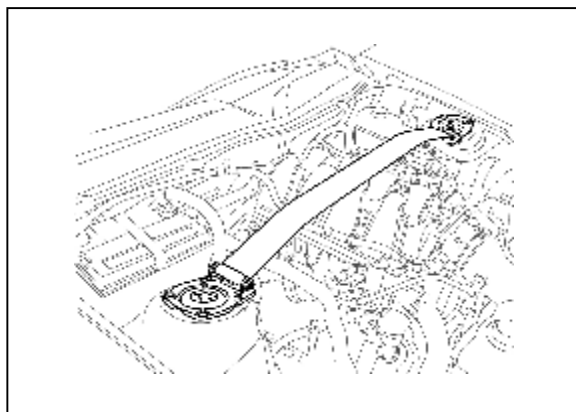
Contents

REF.	DESCRIPTION	QTY
•	REAR STRUT TOWER BRACE – LOWER	1
,	INSTALLATION INSTRUCTIONS	1

Tools Required

(1) RATCHET & SOCKETS	(2) OPEN END WRENCHES	(3) HEX KEY
		
19 (mm)	19 (mm)	8 (mm)

Instructions



- Loosen and removes fastener nuts located in front shock (suspension) tower.
- , Place front strut bar end bracket on top of front shock (suspension) tower. Make sure it aligned properly.
- f* Install the original nut fasteners, do not tighten.
- „ Use a 8mm hex key to tighten the end cap and bracket.
- ... Complete installation by tightening the shock tower fastener nuts to a snug fit.