

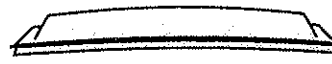
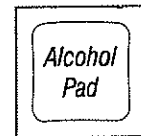


# Downdraft

## Contents



Rear Deck Lid Downdraft

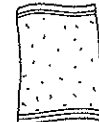
Rear Roof Line Downdraft  
(2 pc. kit only)

Alcohol Pad x2

## Tools Required



Car Wash Supplies




Clean Towel

## Important



### WARNING/CAUTION/NOTE

Please read this manual and follow instructions carefully. To emphasize special information, the symbol  and the words **WARNING**, **CAUTION** and **NOTE** have special meanings. These special meanings apply except when laws or regulations require that the signal words be used with a different meaning.

## Preparation Before Painting / Installation

A trial fit is recommended to ensure proper positioning and fit, since installing and then removing the Downdraft will significantly degrade the adhesive performance of the tape. Please check fit of parts before painting as we will not accept the return of modified or painted parts, nor assume any responsibility for parts painted in error. Wash your vehicle's rear deck lid to remove any debris and/or dirt. Dry the rear deck lid with a clean towel.

## Care and Cleaning

1. Avoid the use of automatic "brush-style" car washes.
2. Do not use cleaning solvents of any kind.
3. Wash only with mild soap & dry with a clean cloth.

## Congratulations!

You have purchased one of the many quality items offered by Auto Ventshade. We take the utmost pride in our products and want you to enjoy years of satisfaction from your investment. We have made every effort to ensure that your product is top quality in terms of fit, durability, finish and ease of installation.



Lund International, Ventshade Accessories Division  
655 Raco Drive, Lawrenceville, GA 30045

800-241-7219 • Fax 770-339-5839 • Visit us at [lundinternational.com](http://lundinternational.com)

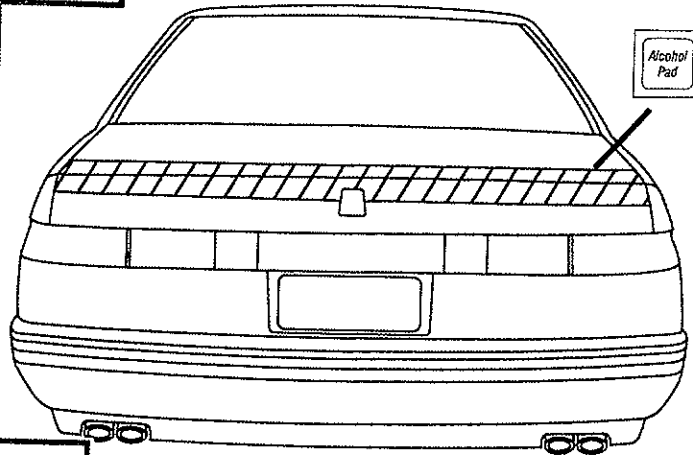
© 2004 Lund International, Inc. All rights reserved.

Auto Ventshade™, the Auto Ventshade™ logo and the AVS™ logo are trademarks of Lund International, Inc.

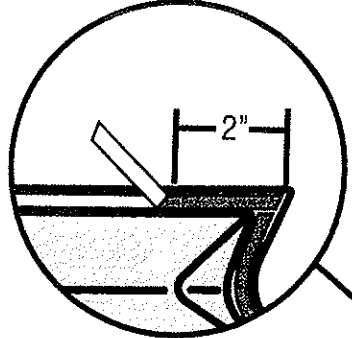
# Installation Steps

DD01

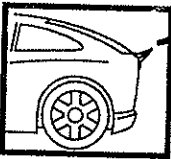
Alcohol Pad



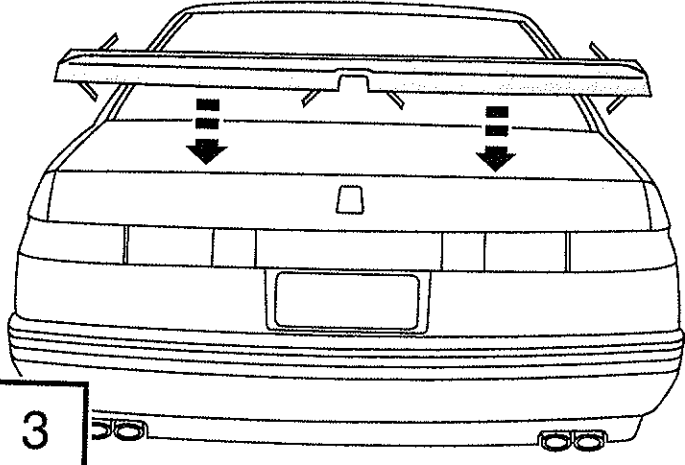
1



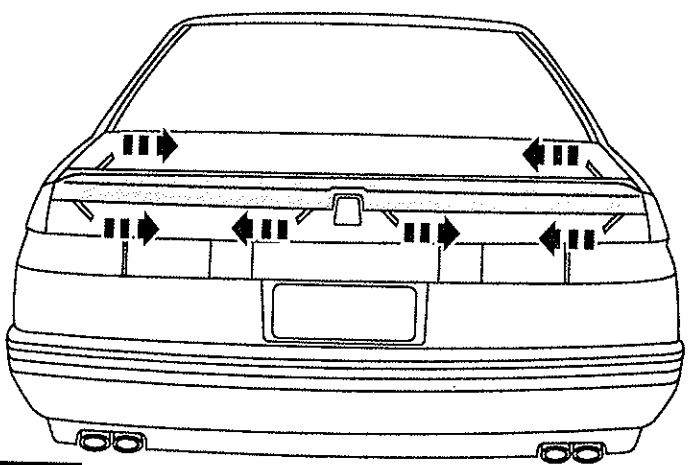
2



General location

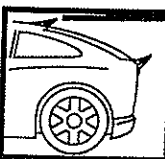


3



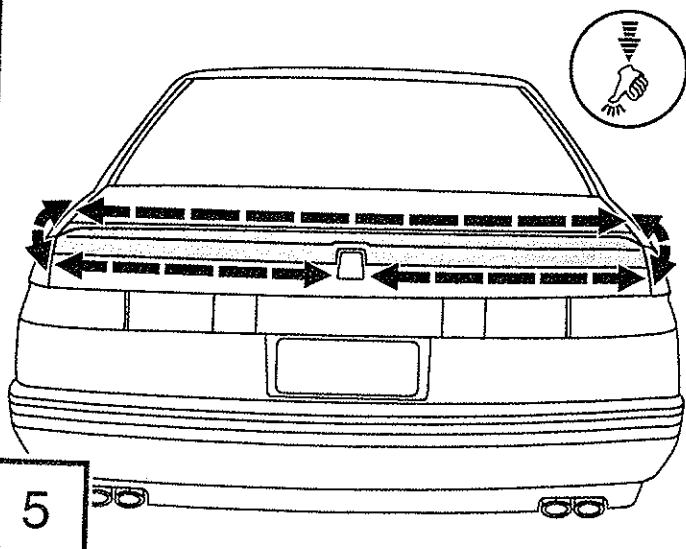
4

## 2 Piece Downdraft (if applicable)

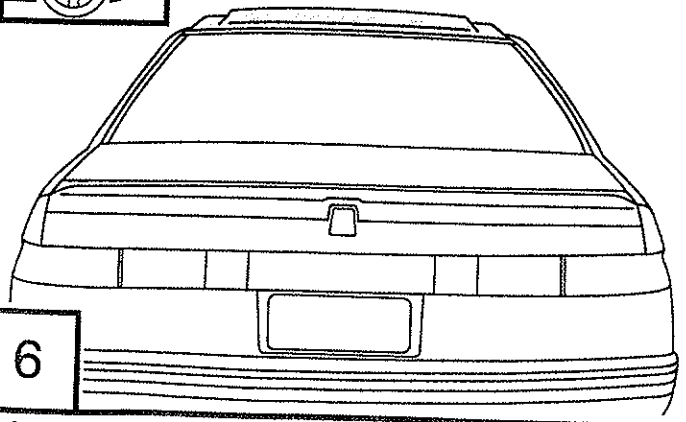


General location

Repeat steps 1 through 5 for roof line Downdraft



5



6