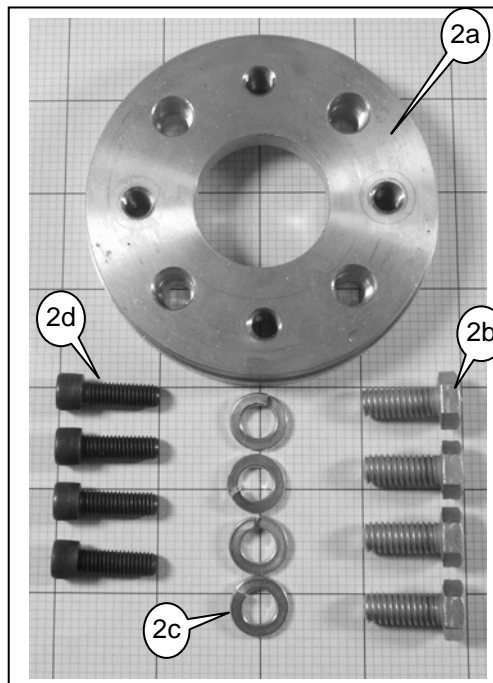
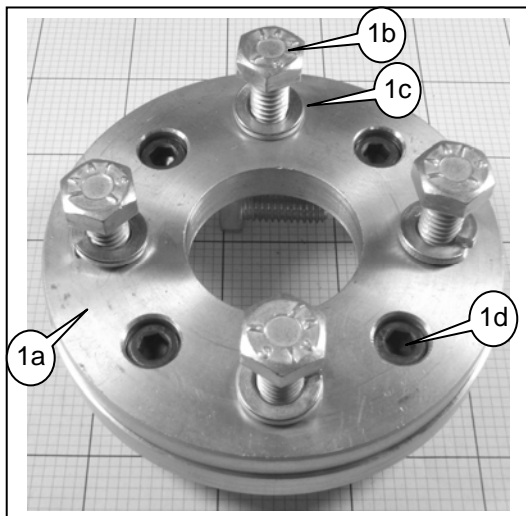


1 **Supplemental Information & Instructions**
2 **for**
3 **834-884 Adaptor Kit for 834-882 Texas Kooler Fan**
4 **Austin Healey 100 BN1, BN2**



18 *This adaptor allows the Texas Kooler to be fitted to a BN1*
19 *or BN2. The machined aluminum adaptor plate is made in*
20 *Texas by the same company that made them for the North*
21 *Texas Austin Healey Club. When they could not come up*
22 *with reasonable source for the 1/4 BSF socket cap screws,*
23 *we found a source in England.*

24

Ref No.	Qty	Units	Description
1a 834-883	1	EACH	ADAPTOR, TEXAS KOOLER
1b 322-870	4	EACH	BOLT, HEX, 5/16 UNC X 3/4, G5
1c 365-730	4	EACH	WASHER, LOCK, 5/16 IN
1d 320-181	4	EACH	SETSCREW, AHSC 1/4 BSF X 3/4
980-336	1	EACH	INSTRUCTIONS, 834-884 (this document)

25
26 **Installation Tips**

27 Remove the original fan from the water pump. Save it; original fans are hard to come by.
28 Secure the adaptor (2a) the water pump using the four 1/4 BSF Allen head socket cap screws (2d).
29 The 834-882 Texas Kooler Fan, which must be purchased separately, is bolted to the adaptor using the
30 four 5/16-UNC hex head bolts (2b) with the 5/16 lock washers (2c).

31
32 *Any suggestions that you may have that will improve the information (especially detailed installation notes)*
33 *are welcome. Please use the simple email form on the "Contact Us" page on the Moss website:*
34 *<http://www.mossmotors.com/AboutMoss/ContactUs.aspx>*
35 *If you prefer, you may call our Technical Services Department at 805-681-3411. So many people call us for*
36 *help that we are often not able to answer the calls as fast as we'd like, and you may be asked to leave a*
37 *message. We apologize in advance for the inconvenience. We will get back to you within 2 business days.*



Moss Motors, Ltd.
440 Rutherford Street, Goleta, California 93117
In the US & Canada Toll Free (800) 667-7872 FAX (805) 692-2510 (805) 681-3400

Moss Europe Ltd.
Hampton Farm Industrial Estate, Hampton Road West, Hanworth Middlesex, TW13 6DB
In the UK: 020-8867-2020 FAX:- 020-8867-2030